

Pressure Independent Control Balancing Valve

Model: SD-9777

SD-9777 balancing valve is designed for the automatic balancing of heating and cooling systems, regardless of fluctuating pressure conditions of the system.

Thanks to its unique design, SD-9777 balancing valve is able to perform three functions:

- REGULATION
Selection of required flow rate;
- CONTROL
Constant flow rate independent of pressure fluctuations;
- MODULATION
“Full authority” flow rate modulation



Product Specifications:

Working Pressure	PN25
Working Temperature	0°C - 120°C
Differential Pressure	4 Bar
High Flow	244 l/h ~ 8586 l/h
Low Flow	78 l/h ~ 1700 l/h

Pressure Independent Control Balancing Valve

Product Dimensions:

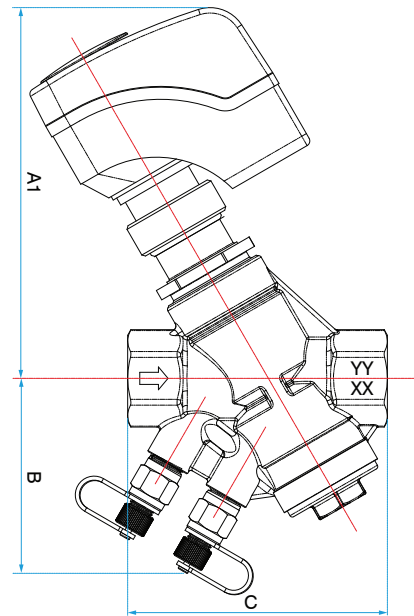
SD-9777

DN	A1	B	C	Flow (l/h)	Flow (l/s)	Flow (gpm*)	Min DP (KPa)	Flow (l/h)	Flow (l/s)	Flow (gpm*)	Min DP (KPa)
				LOW FLOW				HIGH FLOW			
15	138	72	95.50	78 ÷ 625	0.022 ÷ 0.174	0.34 ÷ 2.75	16	244 ÷ 1724	0.068 ÷ 0.479	1.08 ÷ 7.59	18
20	138	72	96.50	131 ÷ 1050	0.036 ÷ 0.292	0.58 ÷ 4.62	16	292 ÷ 2039	0.081 ÷ 0.566	1.28 ÷ 8.98	22
25	138	72	102.50	231 ÷ 1722	0.064 ÷ 0.478	1.06 ÷ 7.58	16	292 ÷ 2039	0.081 ÷ 0.566	1.28 ÷ 8.98	22
32	144	76	128.00	-	-	-	-	465 ÷ 3056	0.129 ÷ 0.849	2.05 ÷ 13.45	18
40	219	87	144.00	-	-	-	-	2022 ÷ 7105	0.562 ÷ 1.974	8.90 ÷ 31.28	26
50	225	93	155.00	-	-	-	-	2204 ÷ 8586	0.612 ÷ 2.385	9.70 ÷ 37.8	32

NOTE: Dimensions are in mm

Drawing Specification

No.	Part	Material
1	Body	DZR Brass
2	Threads	ISO 228



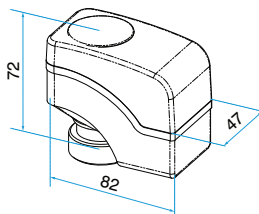
ELECTRIC ACTUATORS

- ▶ Their main features are the following:
- ▶ Maximum stroke: 5,5 mm;
- ▶ 3 positions or 0.10Vdc control signal;
- ▶ Swivel nut easy assembling;
- ▶ Manual operation by 3 mm hexagonal key;
- ▶ Short circuit resistance;
- ▶ Protection against polarity reversal.

ELECTRIC ACTUATORS DN15 ÷ DN32

- ▶ SD EMV24 : 145/210VAC - proportional;
- ▶ SD EMV24 : 146/210VAC - 3 positions;
- ▶ SD EMV230 : 147/210VAC - 3 positions.
- ▶ Maximum stroke: 5,5 mm;
- ▶ Manual operation by 3 mm hexagonal key;

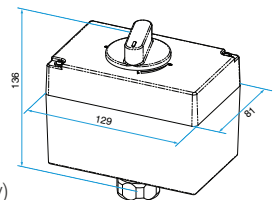
Voltage	: 230VAC; 24VAC
Frequency	: 60/50 Hz
Manual operation	: 3mm hexagonal key
Cable length	: 1,5 m
Protection Class	: IP 40
Weight	: 350 Grms.
Actuating force	: 250N
Input impedance	: > 100 k Ohm (DC 10-0v)



ELECTRIC ACTUATORS DN40 ÷ DN50

- ▶ SD EMV24 : 148/210VAC - proportional;
- ▶ SD EMV24 : 149/210VAC - 3 positions;
- ▶ SD EMV230 : 150/210VAC - 3 positions.
- ▶ Maximum stroke: 6,5 mm;
- ▶ Manual operation by adjusting handle;

Voltage	: 230VAC; 24VAC
Frequency	: 60/50 Hz
Manual operation	: adjusting handle
Cable length	: no cable
Protection Class	: IP 54
Weight	: 450 Grms.
Actuating force	: 400N
Input impedance	: > 100 k Ohm (DC 10-0v)



Pressure Independent Control Balancing Valve

Miscellaneous Data:

1. Ordering Information

Example: SD-9777-20

- SD-9777 is the part number
- (20) Size

2. Contact Information

For further information on any aspect of the SHIELD Valves products please contact below:

MIDDLE EAST & AFRICA	UNITED KINGDOM
Jebel Ali Free Zone, Dubai, UAE P.O Box: 61199 Tel.: +971 4 881 2070 Fax: +971 4 881 2198 Email: shieldme@shielglobal.com	Unit 3, Endeavor Drive, Basildon-Essex, SS3 14WF Tel.: +44 1708 377731 Fax: +44 1708347637 Email: shielduk@shielglobal.com