

Y STRAINER

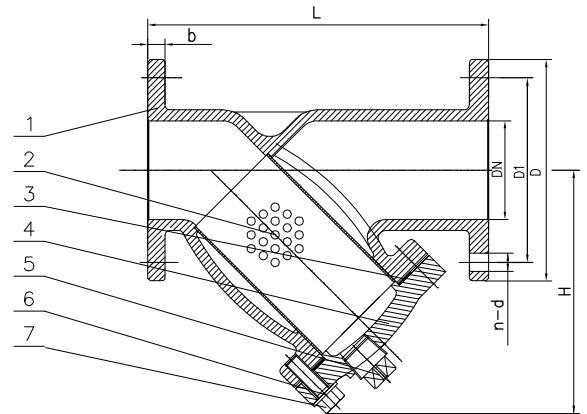


MODEL: SD-YS300FF-D

- Working pressure: 300 psi
- Connection ends: Flange to ASME B16.1 Class 125
- Temperature range: 0°C to 80°C Rubber Gasket
-10°C to 350°C Graphite Gasket
- Coating: Fusion bonded epoxy coating internally and externally in accordance with ANSI/AWWA C550



PART NO.	PART NAME	ASTM SPEC.
1	Valve Body	ASTM A536, 65-45-12
2	Screen	AISI 304
3	Gasket	EPDM
4	Bonnet	ASTM A536, 65-45-12
5	Plug	Bronze ASTM B584
6	Bolt	Stainless Steel 316
7	Flat Washer	Stainless Steel 316



Size	L	D	D1	b	nxd	H	Net. Wt. Kg.	Screen Details		
								Screen hole diameter	Sieve No.	Screen Opening area (mm ²)
2"	200	152	120.5	19	4 x19.1	155	8.31	4	25	9504
2½"	254	178	139.5	22.4	4 x19.1	165	13.43	4	25	13173
3"	257	191	152.5	23.9	4 x19.1	180	14.43	5	18	19430
4"	308	229	190.5	23.9	8 x19.1	229	22.63	5	18	33210
6"	470	279	241.5	25.4	8 x 22.2	311	43.33	6.3	12	74887
8"	549	343	298.5	28.4	8 x 22.2	394	71.75	6.3	13	131045
10"	654	406	362	30.2	12 x 25.4	487	107.94	6.3	13	204482
12"	759	483	432	31.7	12 x 25.4	547	169.00	6.3	13	290046

Unit : mm